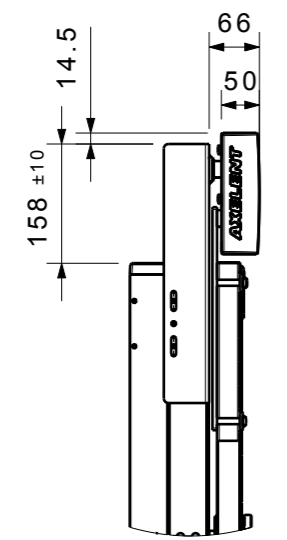
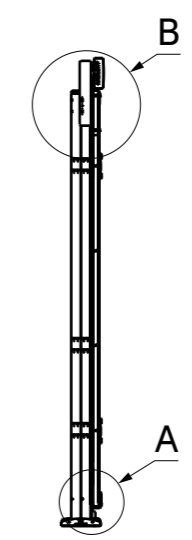
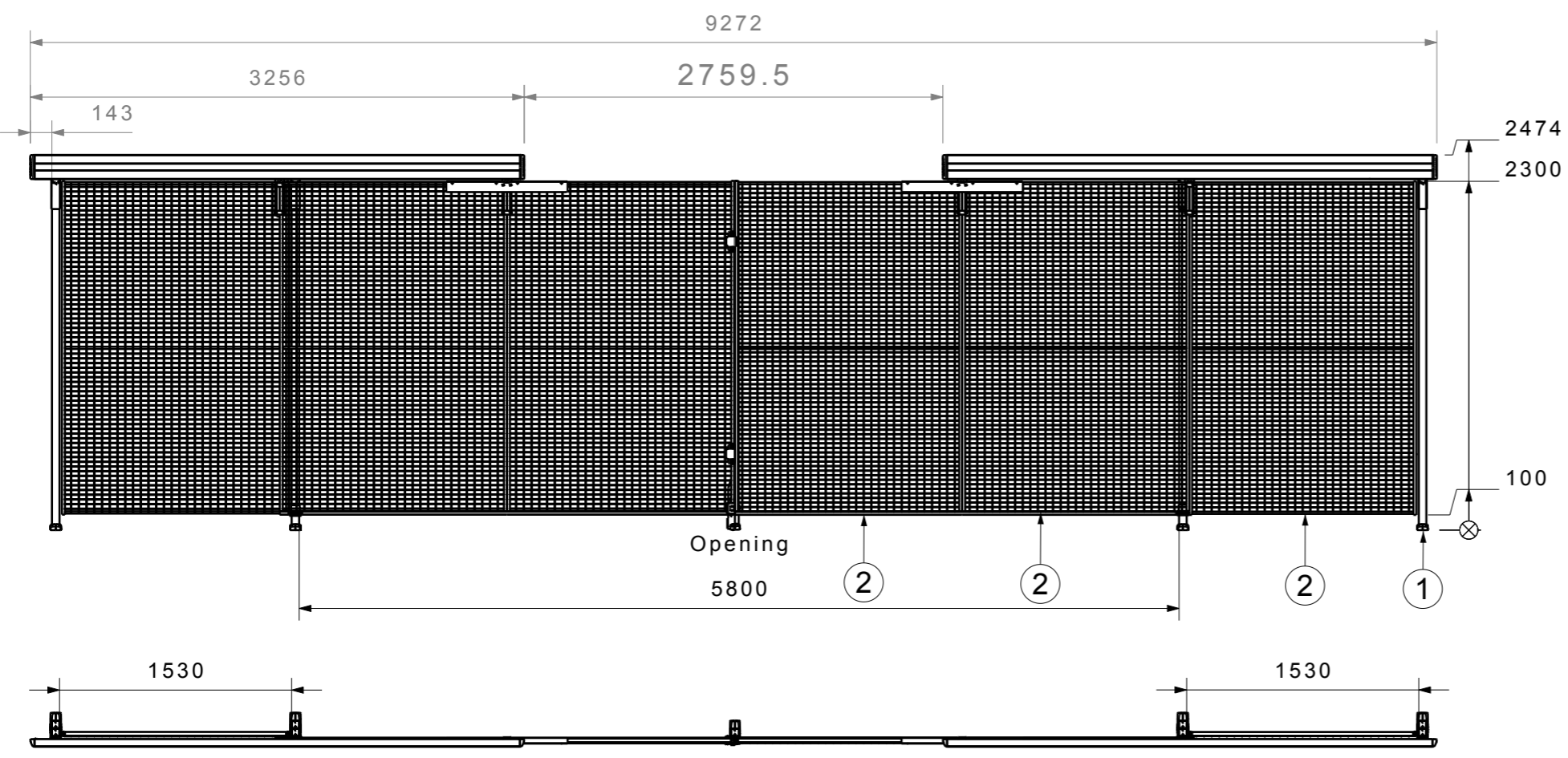
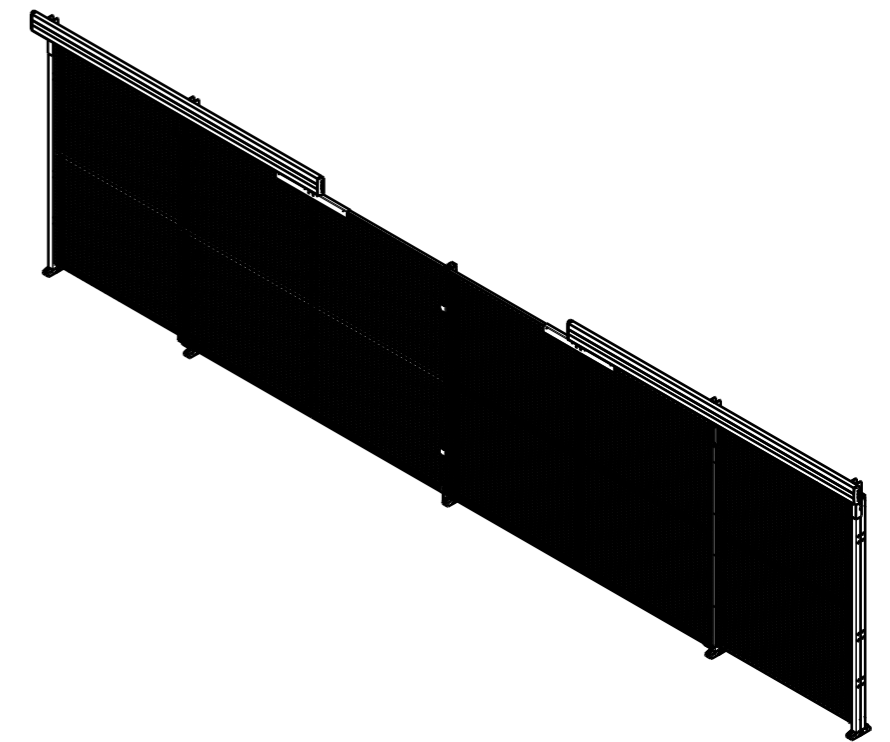
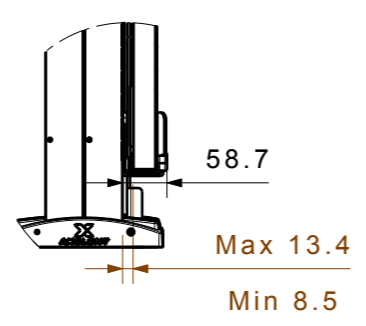


H G F E D C B A




B (1:10)

A (1:10)



Item No.	Title	Quantity
1	P11-230	4
2	322-220150	6


**AXELEN**

Title: **D27-XXX580**

Scale: 1:40    Rev: A    Date: 2015-03-25

H G B A