

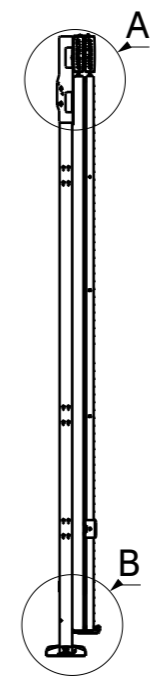
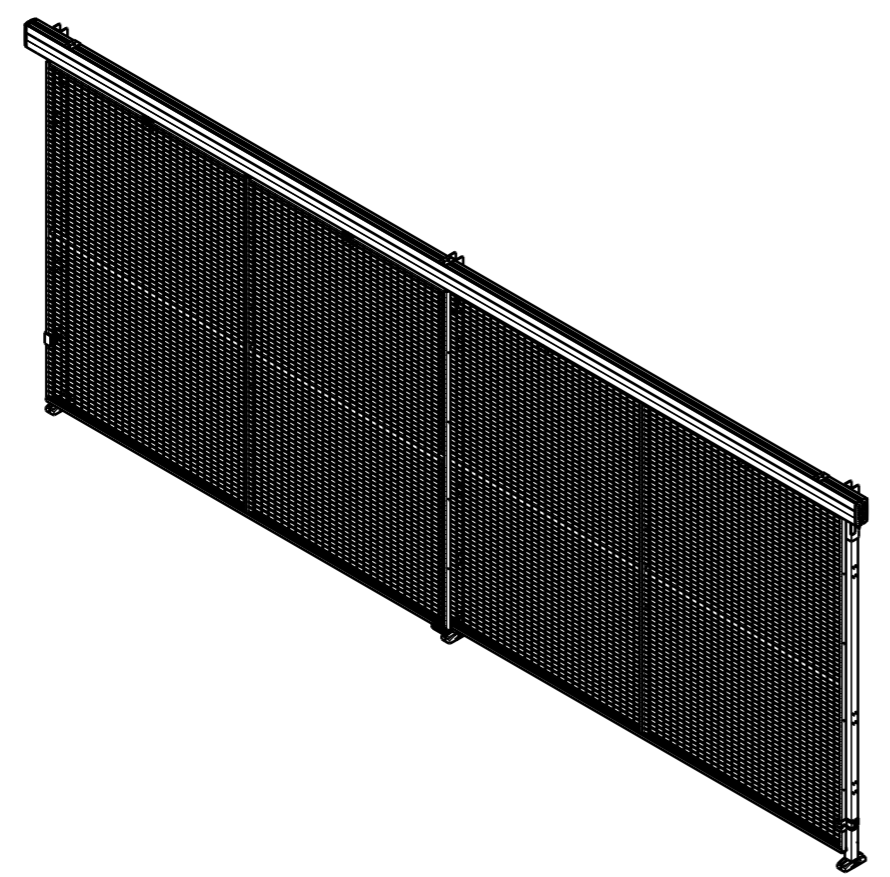
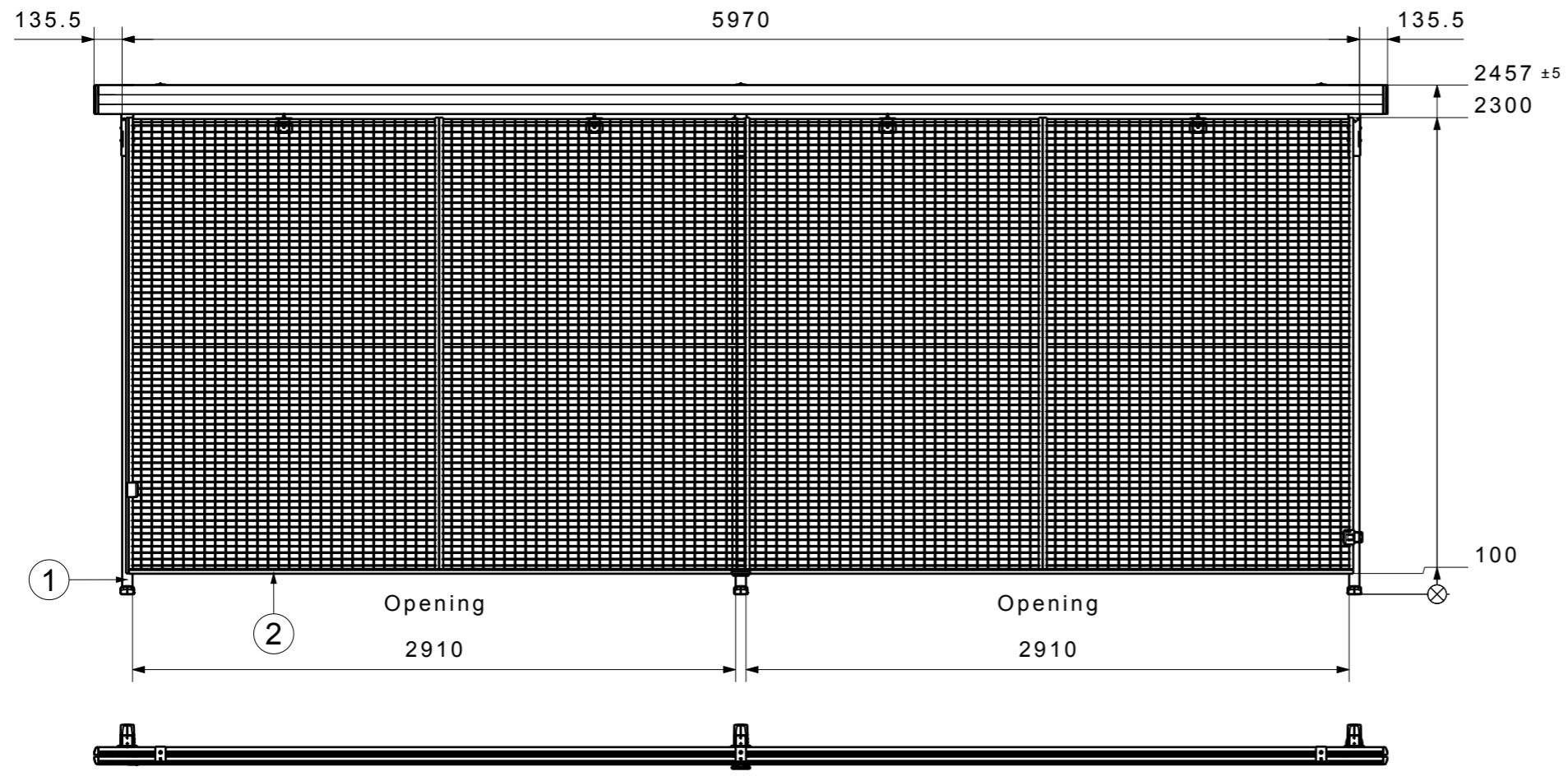
H G F E D C B A

4

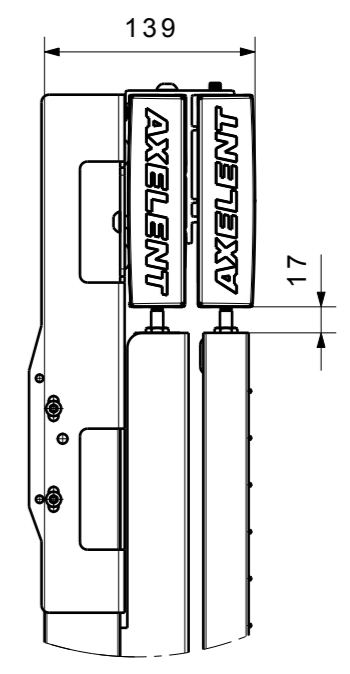
3

2

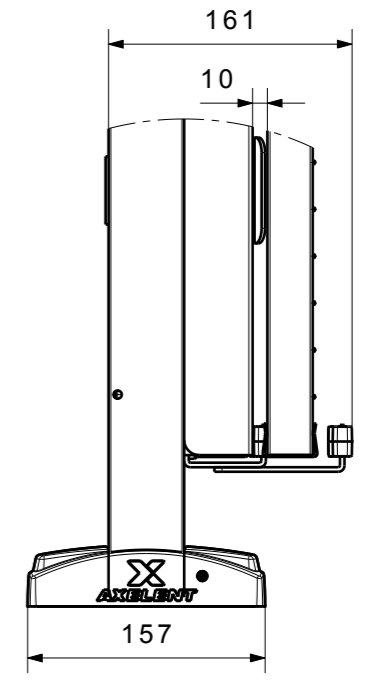
1



A (1:5)



B (1:5)



Item No.	Name	Quantity
1	P11-230	3
2	322-220150	4

	Title D24-230290		Scale	Rev.	Date
			1:30	--A	4/29/2013

H G B A

4

3

2

1